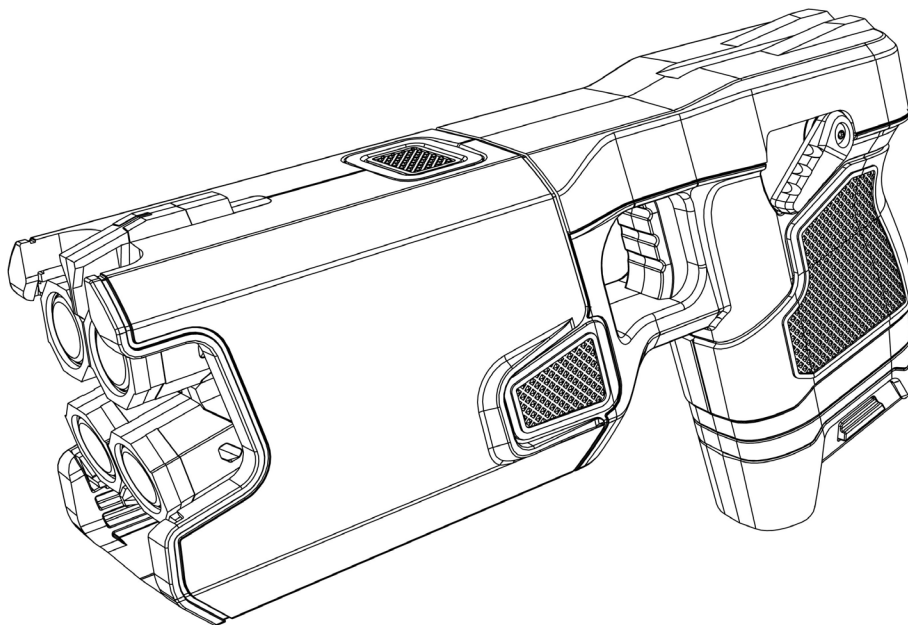




TASER 7 and TASER 7 CQ Energy Weapons User Manual



Models TS1001, TS1002, TS1003, and TS1004, TS1017, TS1018, and TS1019

IMPORTANT SAFETY INSTRUCTIONS

Read all warnings and instructions. Save these instructions.

The most up-to-date warnings and instructions are available at www.axon.com

MMU0074 Rev: G

May 2021



Contents

1	Chapter 1: Overview
1	Important Safety and Health Information
4	Use of Force Policy
4	Firmware Update
4	Device Registration
5	Chapter 2: Introduction to the TASER 7 Energy Weapon
5	What is the TASER 7 Energy Weapon?
5	Neuro Muscular Incapacitation (NMI)
6	Basic TASER 7 Energy Weapon Electrical Theory
8	Chapter 3: TASER 7 Energy Weapon Features
8	Safety Switch
9	Arc Switch
9	Battery Packs
9	Rechargeable Battery Packs <small>(Models TS1005, TS1013, TS1017)</small>
9	Non-Rechargeable Battery Packs <small>(Model TS1006)</small>
10	Changing the Battery Pack
10	Recharging the Battery Pack
10	Automatic Shut-Down (AS) Option
11	Trigger-Initiated Shut-Down Only Option – Arc Switch Override
11	Trigger- and Arc Switch-Initiated Shut-Down Option – Hard Stop
11	Speaker
11	Central Information Display (CID)
11	Cartridge Icons
12	System Status Icons
13	Battery Level Icons
13	Sample CID Displays






15	Probe-Deployment Mode
15	Spark Duration
15	Arc Switch
15	Top LASER and Mechanical Sights
15	Bottom LASER
16	LED Flashlight
16	Trigger Switch
16	Method of Operation
17	Near Field Communications (NFC) Tag
17	Stealth Mode
17	Function Test/Axon Signal Mute Mode
19	Chapter 4: Cartridges and Energy Weapon Operation
19	Remove the Cartridges from the Safety Clip
19	Cartridge Pair Assembly
20	TASER 7 Cartridge Characteristics
20	Close Quarter Cartridges (12-degree)
21	Standoff Cartridges (3.5-degree)
21	TASER 7 Hook-and-Loop Training (HALT) Cartridges (12- and 3.5-degree)
22	TASER 7 Inert Resettable Training Cartridge (12- and 3.5-degree)
22	Digital Anti-Felon Identification (AFID)
22	TASER 7 Cartridges General Instructions
23	Loading the TASER 7 Cartridges
24	Cartridge Release Button
25	Unloading
26	Aiming and Probe Placement
27	Potential Causes of Reduced or No Effectiveness
27	Warning Arc Display
28	Electrodes
28	Drive-Stun Backup
29	Recommended Drive-Stun Areas for Maximum Effect
29	Tilt Select
31	Chapter 5: TASER 7 Dock Operation (AX1011, AX1013, AX1030)
31	Introduction
31	Multi-Bay
32	Single-Bay

33	Chapter 6: Maintenance/Troubleshooting
33	Function Test
34	What to Do Following Energy Weapon Use
34	Considerations for Handling Used Probes
35	Effects on Animals
35	Police/Military K-9 Caution
35	Downloading Firmware Revisions
36	Device Logs
36	Armed Event Log
36	Maintenance Log
36	TASER 7 Energy Weapon Maintenance and Care
37	Dropped or Wet TASER 7 Energy Weapon
38	Online Troubleshooting Guide
38	Product Returns
39	Chapter 7: Additional Items
39	Axon Academy
39	Medical Research
40	Radio Waves
41	CE Declaration of Conformity
41	Compliance Marks
43	TASER 7 CQ
43	LASER Information
45	Feature Availability

Chapter 1: Overview

Important Safety and Health Information

Read, understand and follow the most current product warnings, safety instructions and training materials. All product warnings are not included in this Manual. A Product Warnings document is included with this energy weapon and the most current warnings are posted on our website at www.axon.com. The most current training materials are available by contacting Axon’s Training Department. Do not attempt to use this energy weapon until you have completed training with an Axon Enterprise, Inc. Certified TASER Instructor.

 WARNING!	
	<p>Complete Training First</p> <p>Significant differences exist between each of the TASER energy weapon models. Do not use or attempt to use any energy weapon model unless you have been trained and certified by a Certified TASER Instructor on that particular model.</p>
	<p>Read and Obey</p> <p>Read, study, understand and follow all instructions, warnings, information, training bulletins and relevant TASER training materials before using the TASER 7 energy weapon. Failure to comply with the product instructions, warnings, information, training bulletins and TASER training materials could result in death or serious injury to the user, force recipient and others.</p>
	<p>Obey Applicable Laws</p> <p>Use of energy weapons must be legally justified and comply with applicable federal, state and local laws and regulations. The decision to use an energy weapon in a particular manner or circumstance must follow applicable law enforcement agency guidance.</p>
	<div style="border: 1px solid black; padding: 5px;"> <div style="background-color: #f4a460; padding: 2px; display: inline-block;"> WARNING</div> <div style="margin-top: 5px;"> <p>Energy Weapon</p> <ul style="list-style-type: none"> • Can temporarily incapacitate target. • Can cause death or serious injury. • Obey warnings, instructions and all laws. • Comply with current training materials and requirements. • See www.axon.com </div> </div>

In probe-deployment mode, TASER energy weapons are designed to temporarily incapacitate a person from a safe distance while reducing the likelihood of serious injuries or death. When used as directed, TASER energy weapons have been found to be safer and more effective than other traditional use-of-force tools and techniques. However, it is important to remember that the use of force and physical incapacitation, by their very nature, involve risk that someone will get hurt or may even die from

factors that include, but are not limited to: physical resistance, exertion, individual susceptibilities and/or unforeseen circumstances. Any use of force, including the use of an energy weapon, or physical exertion involves risks that a person may get hurt or die.

For a full list of current warnings, visit www.axon.com.

LASER Information

⚠ WARNING!

	LASER 2	
--	--------------------------	---

LASER RADIATION
DO NOT STARE INTO BEAM
CLASS 2 LASER PRODUCT

**LASER RADIATION
DO NOT STARE INTO BEAM**

 COMPLIES WITH 21CFR 1040.10 AND 1040.11
EXCEPT FOR DEVIATIONS PURSUANT
TO LASER NOTICE NO. 50 DATED
JUNE 24, 2007 (IEC60825-1 ED.3 (2014))

**LASER RADIATION
AVOID DIRECT EYE EXPOSURE
CLASS 2 LASER PRODUCT**

Max. 1mW, 510-680nm
IEC60825-1 Ed. 2 (2007) and Ed. 3 (2014)


CONDUCTED ENERGY WEAPON

- Can temporarily incapacitate target.
- Can cause death or serious injury.
- Obey warnings, instructions and all laws.
- Comply with current training materials and requirements.

AXON ENTERPRISE, INC.

⚠ WARNING!

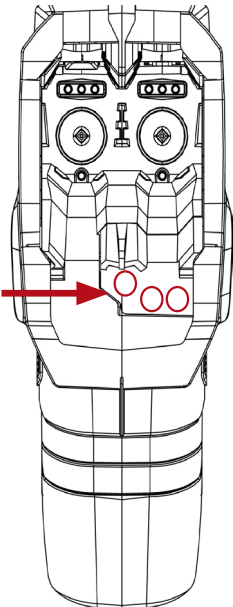
LASER RADIATION
DO NOT STARE INTO BEAM
CLASS 3R LASER PRODUCT





⚠ WARNING!

AVOID EXPOSURE – LASER RADIATION IS EMITTED FROM THESE APERTURES



CFR 1040.10 (h) (l) (iv) requirement:

⚠ CAUTION! LASER RADIATION EXPOSURE

Use of controls, adjustments or procedures other than those specified herein may result in hazardous radiation exposure.

Use of Force Policy

Each agency is responsible for creating its own use-of-force policy and determining how TASER energy weapons fit into their use-of-force matrix based on legal and community standards. Make sure your agency has a use-of-force policy that addresses TASER energy weapon use and that such policy is clearly addressed during end-user training.

Firmware Update

Before using your TASER 7 energy weapon, confirm with your armorer or other qualified person that the TASER 7 firmware and the agency settings have been updated.

Before using your TASER 7 energy weapon, insert the battery pack in a TASER 7 Dock and wait for the battery to charge and the firmware to update. After the battery pack is ready (after the LED on the dock is solid green), insert the battery pack into the energy weapon. It will take five minutes for the energy weapon to be fully updated.

Device Registration

Your TASER 7 energy weapon and battery pack should be registered in Axon Evidence (Evidence.com) before you use them. There are two ways to register:

1. In coordination with your armorer or other qualified person, insert the battery pack into a TASER 7 Dock (see *Chapter 5: TASER 7 Dock Operation*). After your armorer tells you the device is ready, remove the battery pack from the dock and insert it into the energy weapon. It will take five minutes for the energy weapon to be fully updated.
2. Use Axon Device Manager (ADM) to assign the energy weapon and battery pack to yourself. (ADM also is used to assign TASER 7 Cartridges.) For more information see *Axon Device Manager for Android Guide* or *Axon Device Manager for iOS Guide*, as appropriate.

Chapter 2: Introduction to the TASER 7 Energy Weapon

What is the TASER 7 Energy Weapon?

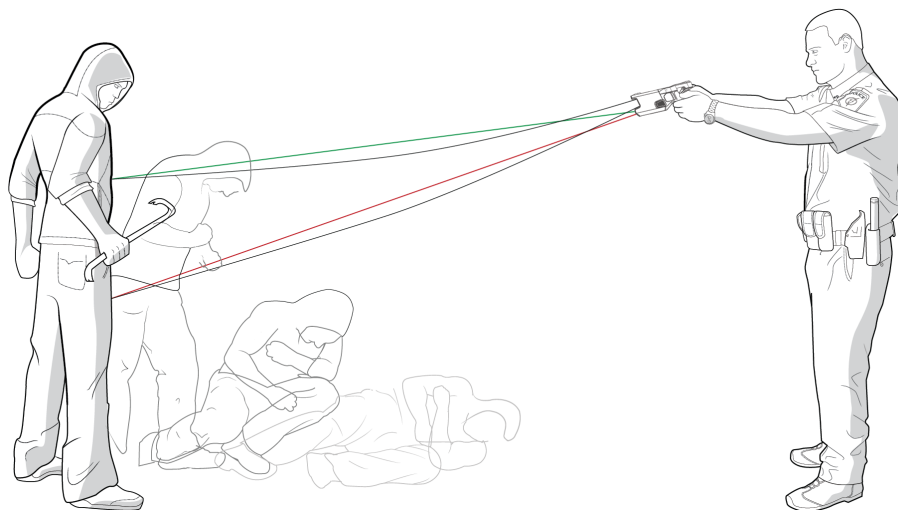
The TASER 7 energy weapon is a firmware upgradable, 2-shot weapon manufactured by Axon Enterprise, Inc.

The TASER 7 energy weapon uses two replaceable TASER 7 Cartridges containing compressed nitrogen to deploy two small probes that are attached to the TASER 7 energy weapon by insulated conductive wires. The TASER 7 energy weapon transmits electrical pulses along the wires and into the body which are designed to affect the sensory and motor functions of the peripheral nervous system and cause involuntary muscle contractions. The cartridges have a 25-foot (7.6 m) range. The TASER 7 energy weapon deploys the cartridges one at a time. It is possible to apply energy beyond the initial burst to a deployed cartridge without deploying the remaining cartridge. It also is possible to apply a Warning Arc display or drive-stun without deploying any of the cartridges loaded in the energy weapon.

The TASER 7 energy weapon has an internal memory that stores the operating firmware and a record of every deployment. See *Device Logs* (Chapter 6) for more details. The TASER 7 energy weapon's log can be uploaded to Axon Evidence (Evidence.com) services.

The TASER 7 energy weapon has an estimated useful life of five years.

Neuro Muscular Incapacitation (NMI)



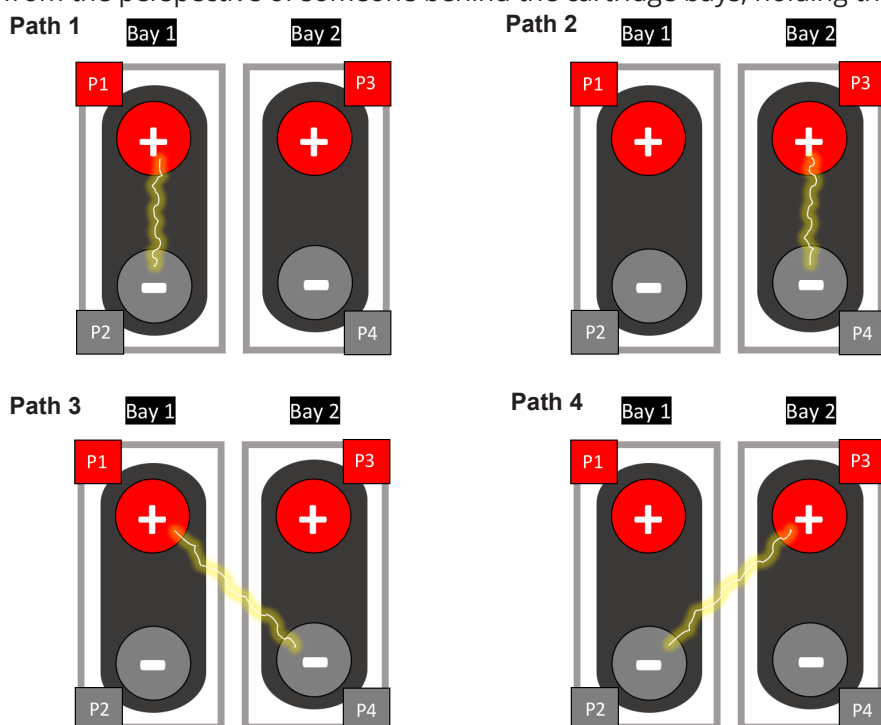
TASER technology is designed to use electrical impulses similar to those in your body's nervous system to cause stimulation of the sensory and motor nerves. Neuro Muscular Incapacitation (NMI) occurs

when an energy weapon is able to cause involuntary stimulation of both the sensory nerves and the motor nerves. It is not dependent on pain and can be effective on subjects with a high level of pain tolerance.

Previous generations of stun guns primarily affected the sensory nerves only, resulting in pain compliance. A subject with a very high tolerance to pain (e.g., a drug abuser, person in serious psychological distress or a trained, focused fighter) may not be affected by the pain or may be able to fight through the pain of a traditional stun gun.

Basic TASER 7 Energy Weapon Electrical Theory

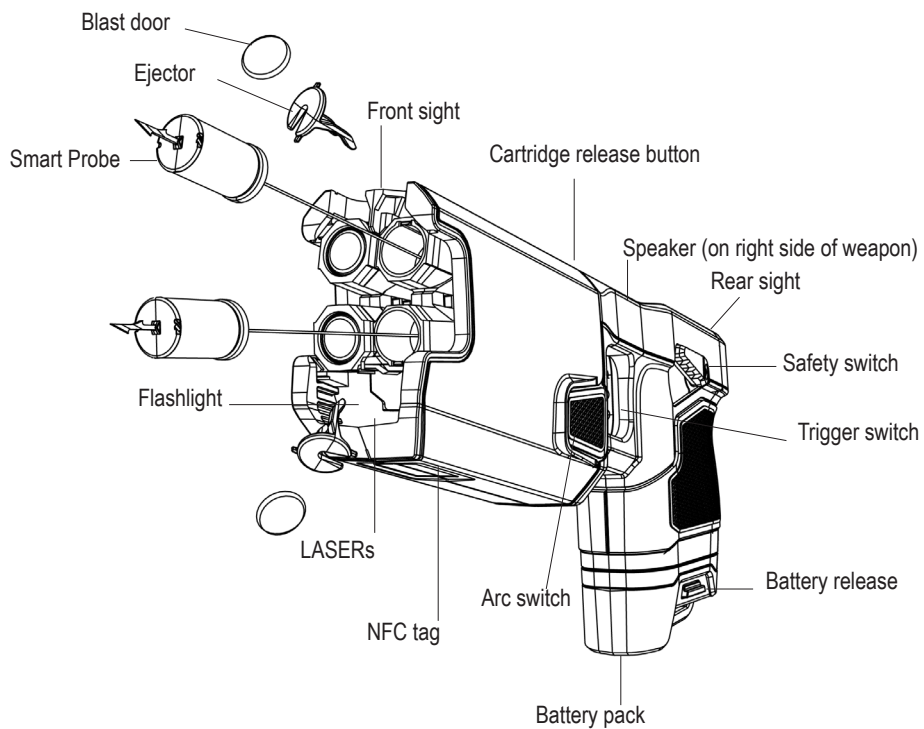
- Electricity must be able to flow between the probes or the electrodes to deliver an electrical charge and will generally follow the path of least resistance.
- Generally, the greater the spread between the probes on the target, the greater the effectiveness.
- Electricity will generally not pass to others in contact with the subject unless contact is made directly between or on the probes, or the wires are touched.
- Electricity can arc through most clothing, and even some bullet-resistant materials.
- Exposure to water will not increase the power to the subject. The delivered electrical charge is fixed inside the TASER energy weapon, and will not increase significantly even with environmental changes.
- The TASER 7 energy weapon always defaults to a 5-second activation, with activation by the trigger or either Arc switch.
- After the second cartridge has been deployed, the TASER 7 energy weapon will always try to deliver an Adaptive Cross Connect across all available electrode paths, delivering discharges using up to four probes from the two cartridge bays. The Adaptive Cross Connect Technology delivers electrical pulses in sequence, at up to 44 pulses per second, between all positive and negative probe combinations: Left top probe to left bottom probe; left top probe to right bottom probe, right top probe to right bottom probe, and right top probe to left bottom probe. (The illustrations below are from the perspective of someone behind the cartridge bays, holding the weapon.)



- The Adaptive Cross Connect technology can make the TASER 7 energy weapon effective even if some probes do not hit the target. Electricity is intentionally driven between all contacts to maximize the impact of the probe deployment and to compensate for close probe spreads or clothing disconnects. ACC will attempt good quality connections more frequently if it detects that other paths do not have a good connection.
- The Charge Metering technology is designed to maintain a fixed charge output independent of load conditions: good connection, partial connection, arcing to skin, etc.

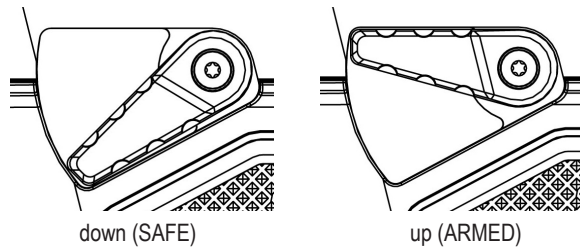
Chapter 3: TASER 7 Energy Weapon Features

Get to know the TASER 7 energy weapon.



Safety Switch

Ambidextrous safety that can be operated from either side of the energy weapon.



- Safety switch down (SAFE).
- Safety switch up (ARMED) and ready to deploy.
- Do not block the safety on one side of the energy weapon while attempting to move it on the other side. This can break the safety and disable the energy weapon.
- If the energy weapon's safety switch is left in the up (ARMED) position for more than 20 minutes, the energy weapon turns off to avoid draining the battery.
- If the weapon has not been moved for five minutes, an internal movement sensor will detect this and the weapon will enter into "power save mode." In power save mode, the LASERs and LED flashlight shut off, and the weapon will not react to a trigger pull nor single Arc-button press. To re-arm the energy weapon, perform *one* of the following procedures:
 - ◇ Shift the safety to the down (SAFE) position and then shift it back to the up (ARMED) position.
 - ◇ Press both Arc switches simultaneously.

Arc Switch

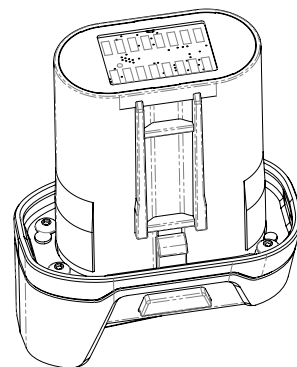
The Arc switch is used to employ a Warning Arc Display. Arc switch functions are described in *Warning Arc Display* (Chapter 4). The weapon will arc for as long as the Arc switch is held down. If there has been a probe deployment, a momentary press of any Arc switch will result in a 5-second activation across the front of the weapon, or across all deployed cartridges.

Battery Packs

Battery packs should be stored in their original packaging, including the desiccant bag, until they are to be used. Do not store the battery pack anywhere that the gold contacts on the top of the battery pack may touch metal objects. If you cause an electrical short between these contacts, the short will drain the lithium energy cells and may cause the pack itself to become dangerously hot.

The battery pack is a lithium energy cell power supply system for the energy weapon. Battery packs contain data from the weapon. Battery packs have Axon Signal technology compatible with Axon cameras. This capability can be configured in Axon Evidence (Evidence.com).

Note: TASER 7 battery packs will not work with previous-generation energy weapons such as the X2, X26, and X26P.



Rechargeable Battery Packs (Models TS1005, TS1013, TS1017)

When plugged into the TASER 7 Dock, rechargeable battery packs upload data to the Axon Evidence (Evidence.com) website. The TASER 7 Dock recharges the battery pack as well.

When fully charged, the battery packs have enough power for approximately 150 five-second activation cycles. Battery capacity may vary depending on temperature, environment, use of the flashlight and other factors. Battery packs will deplete faster in colder weather and increased use of the flashlight.

For more information on installing a battery pack in an energy weapon, see *Changing the Battery Pack*.

Non-Rechargeable Battery Packs (Model TS1006)

Non-rechargeable battery packs have a useful life of approximately 500 single-bay discharges. As with

rechargeable battery packs, battery capacity may vary depending on temperature, environment, use of the flashlight and other factors. Battery packs will deplete faster in colder weather and increased use of the flashlight.

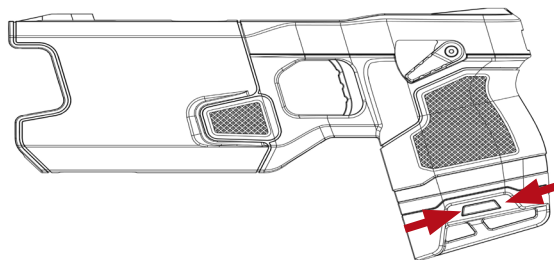
Changing the Battery Pack

Before using a battery pack in a TASER 7 energy weapon, first ensure the firmware is updated:

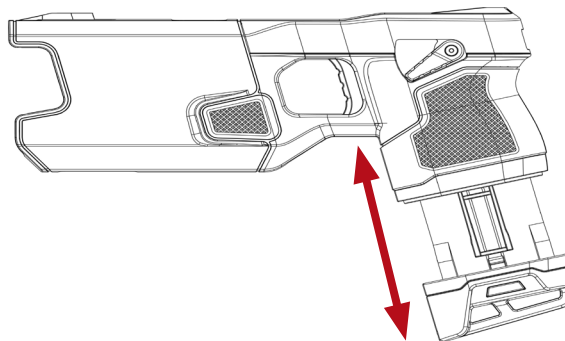
- If you have a rechargeable battery pack, insert it into a TASER 7 Dock.
- If you have a non-rechargeable battery pack, use a single-bay dataport to connect the battery pack to a computer that has Evidence Sync software installed.

Wait until the battery pack is fully charged (if you have a rechargeable battery pack) and its firmware fully updated before removing it and using it with the energy weapon. See the *TASER 7 Dock Quick Start Guide* or *TASER 7 Dock Single-Bay Dataport Quick Start Guide* for more information, as appropriate. This procedure is intended to ensure the battery pack has the most up to date programming, correct clock and is fully charged.

- 1 Point the energy weapon in a safe direction.
- 2 Shift the safety switch to the down (SAFE) position.
- 3 Confirm that the *Central Information Display (CID)* is blank.
- 4 To remove the battery pack, depress the battery pack release buttons on each side of the battery pack and remove it from the energy weapon.



- 5 Inspect the battery contacts. Ensure that they appear in working order and are free from dirt or other residue that may interrupt the battery connection to the energy weapon.
- 6 Install the new battery pack and ensure that it is fully inserted into the energy weapon. Apply sufficient force to ensure the battery pack is fully seated. When the battery pack seats properly, the release buttons should pop out from the recessed position with an audible click.



- 7 Pull on the bottom of the battery pack to confirm that it is seated properly.

Recharging the Battery Pack

See *Chapter 5: TASER 7 Dock Operation* for information on recharging the rechargeable battery packs.

Automatic Shut-Down (AS) Option

If configured to do so, the TASER 7 energy weapon will shut down its electrical output after five seconds. The energy weapon also contains a built-in speaker that alerts you to the impending shut down.

Under stressful situations, audio exclusion might prevent you from hearing the audio alert.

There are two ways your agency can configure your energy weapon to work with the AS feature.

1. Arc switch override: Shut down will occur five seconds after a trigger-initiated energy burst, but Arc switch functioning will not be affected. (This is the default option.)
2. Hard stop: Shut down will occur after five seconds whether you press the trigger or the Arc switch. The AS feature is agency-configured via the Axon Evidence (Evidence.com) website or Axon Commander services.

Trigger-Initiated Shut-Down Only Option – Arc Switch Override

When properly configured, the energy weapon provides an audible beeping alert for the last two seconds of a trigger-initiated cycle before automatically shutting down the cycle. After a 5-second deployment duration, the energy burst will stop even if your finger is still pulling the trigger. The audible beeping alert will continue to sound until the trigger is released. To re-energize the deployed cartridge, first ensure that your finger is off the trigger, and then press the Arc switch.

With the Arc Switch Override option, pressing and holding the Arc switch before the 5-second, trigger-initiated cycle has ended will cause the cycle to continue past the 5-second limit.

Trigger- and Arc Switch-Initiated Shut-Down Option – Hard Stop

When properly configured, the energy weapon provides an audible beeping alert for the last two seconds of a trigger- or Arc switch-initiated cycle before automatically shutting down the cycle. After a 5-second deployment duration, the energy burst will stop even if your finger is still pulling the trigger or pressing the Arc switch.

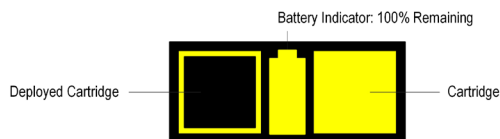
The audible beeping alert will continue to sound until the trigger or Arc switch is released. To re-energize the deployed cartridge, first ensure that your finger is off the trigger, and then press the Arc switch. To re-energize the Arc switch, remove your finger from the Arc switch and re-press the Arc switch.

Speaker

The TASER 7 energy weapon has a small speaker that can emit beeping alerts through a sound port located on the right side of the weapons frame just above the trigger.

Central Information Display (CID)

The CID is a display on the back of the energy weapon that provides information about the energy weapon. When the safety switch is shifted into the up (ARMED) position, the CID will display the cartridge bays and battery status.



Cartridge Icons



When a cartridge is loaded into the energy weapon, the cartridge displays on the CID as a yellow rectangle as shown. This cartridge has not been deployed.



After a cartridge has been deployed, the cartridge deployed icon is displayed.



If no cartridge is loaded in the cartridge bay, the space otherwise occupied by a cartridge icon will be blank.



If something is wrong with the cartridge, the cartridge bay error icon is displayed. The icon will blink. If you see this, the cartridge might not deploy. See *Unloading and Loading the TASER 7 Cartridges* (Chapter 4) for instructions on unloading and loading cartridges from a TASER 7 energy weapon before performing the steps below:

- 1 Shift the safety switch to the down (SAFE) position.
- 2 Remove the cartridges.
- 3 Reload the cartridges into the energy weapon. Confirm that you hear the distinct “click” sound that indicates the cartridges are fully seated. If you do not hear the “click” sound, the energy weapon should be sent to Axon for RMA. See *Product Returns* (Chapter 6) for instructions.
- 4 Shift the safety switch to the up (ARMED) position.
 - If the fault is cleared, continue with daily functional tests and use the cartridges in the field.
 - If the cartridge shows as an X on the CID twice on the same energy weapon, go to step 5.
- 5 Shift the safety switch to the down (SAFE) position.
- 6 Swap the bay position of each cartridge.
- 7 Shift the safety switch to the up (ARMED) position.
 - If the fault is cleared, continue with daily functional tests and use the cartridges in the field.
 - If the fault follows the cartridge and is observed in both bays of the energy weapon, the affected cartridge(s) should be sent to Axon for RMA.
 - If the problem occurs multiple times on the same bay of the energy weapon with two different cartridges, the energy weapon should be sent to Axon for RMA.

System Status Icons

The system status icons are designed to inform you of a fault in the energy weapon. It is a fault indicator only. It is the user's responsibility to heed the fault indicators, conduct proper maintenance and repair, and ensure that the energy weapon is working properly before any use. Failure to heed the system status icons could cause serious injury or death.

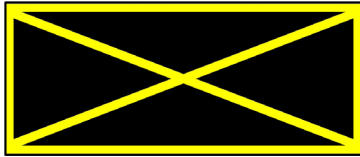
All faults are recorded in the energy weapon's log.



Major Fault Indication. A small X indicates that the logging, date and time functions, or the ability for the energy weapon to successfully read the battery pack information are not working properly. The energy weapon will still produce an electrical arc (e.g., the energy weapon should still arc and deploy cartridges), but the accountability functions are compromised.

Shift the safety switch to the down (SAFE) position and then to the up (ARMED) position; the fault may clear. If the fault does not clear, remove the battery pack and insert it into a TASER 7 Dock (see *Chapter 5: TASER 7 Dock Operation*). If the fault does not clear after the battery pack is reinserted into the energy weapon, try using a different battery pack.

If the fault still does not clear, do NOT attempt to use the energy weapon. The energy weapon may need to be repaired or replaced. Contacting Axon Technical Support at 1 (800) 978-2737 can help troubleshoot the problem to determine a potential solution to clear the fault. Otherwise, see *Product Returns* (Chapter 6) for instructions.



Critical Fault Indication. This icon blinking on the CID indicates a system failure.

Critical faults are rare. Shift the safety switch to the down (SAFE) position and then to the up (ARMED) position; the fault may clear.

If the fault does not clear, do NOT attempt to use the energy weapon. The energy weapon may need to be repaired or replaced. See *Product Returns* (Chapter 6) for instructions.

Battery Level Icons



The battery is fully charged.



The battery is not fully charged, but still serviceable.



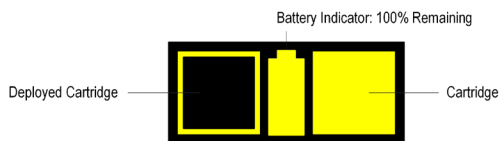
The battery needs charging. This icon will blink.



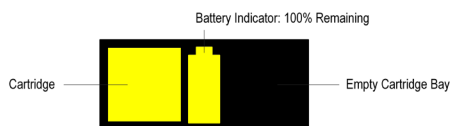
Battery Error. If you see a blinking battery icon with an X through it, this indicates that the energy weapon did not recognize the battery correctly. Remove the battery pack and reinsert it. If the error is still present, try another battery pack. If the icon still displays, the energy weapon should be serviced. See *Product Returns* (Chapter 6) for instructions.

Sample CID Displays

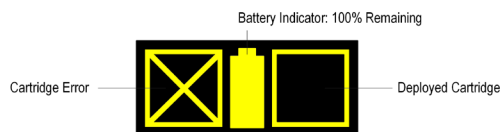
The CID below shows a TASER 7 energy weapon loaded with two cartridges, one of which is deployed. The battery is still at full capacity.



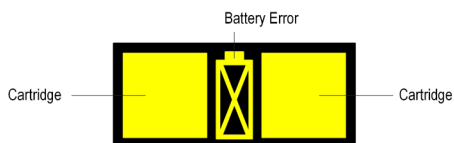
The CID below shows the left cartridge bay loaded, and the right cartridge bay empty. The battery is at full capacity.



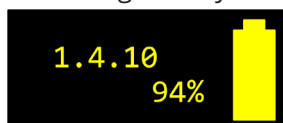
The CID below shows that the left cartridge has an error, and the right cartridge is deployed. The battery is at full capacity.



The CID below shows that two cartridges are ready to be deployed, but there is a battery error.



The CID below shows a CID in Function Test mode. With the safety in the down (SAFE) position, the TASER operator has pressed both Arc switches simultaneously. The firmware version and the remaining battery charge (percentage) display.



The CID below shows the energy weapon is in the Function Test mode after the TASER operator shifted the safety switch to the up (ARMED) position. The colors are reversed in Function Test mode—the background is yellow, and the loaded cartridges are black.



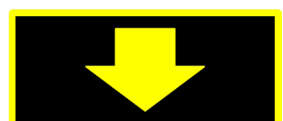
The CID below shows an energy weapon updating firmware or synchronizing its log to the battery pack. Do not remove the battery pack from the energy weapon until the hourglass icon disappears.



If there are both a battery error and an energy weapon error at the same time, the CID will alternate between the two icons below:



The CID flashes the icon shown below when the connection between a Disconnect battery pack and the energy weapon is broken. For more information, see the *TASER 7 Disconnect Battery Pack Quick Start Guide*.



The CID below shows that the cartridge in the left bay is selected. If the trigger is pulled, this cartridge will be deployed. This feature is only available in a TASER 7 energy weapon configured to have the *Tilt Select* (Chapter 4) feature active.



Probe-Deployment Mode

When the TASER 7 energy weapon trigger is pulled and then released, it delivers an automatic Rapid Arc deployment. The cycle continues for five seconds unless the safety switch is shifted to the down (SAFE) position during the cycle.

In probe-deployment mode, the CID display shows the deployment cycle duration for the cartridge deployed. If you deploy a second TASER 7 Cartridge while the first cycle is running, the CID will continue to show the duration of the first cartridge; the energy weapon will start Adaptive Cross Connect when the second cartridge is fired and the cycle duration will be extended five additional seconds.

The cycle can be stopped at any time by shifting the safety switch to the down (SAFE) position. If both cartridges are cycling and the safety switch is shifted to the down (SAFE) position, then the electrical cycle will stop for BOTH cartridges.

Spark Duration

The CID displays a count indicating how many seconds the deployment cycle lasts. The energy weapon will count up from the number 1 up to 99. At 99 seconds, the count will restart at one.



Arc Switch

If you press the Arc switch, the CID will display the deployment cycle duration. The energy weapon will count up.

Top LASER and Mechanical Sights

The top LASER and the mechanical sights of the TASER 7 energy weapon intersect within a 3-inch (7.6 cm) circle at 15 feet (4.6 m). The top LASER is solid, i.e., it does not blink.

Bottom LASER

The TASER 7 energy weapon is equipped with two bottom red LASERS. Unlike the top LASER, the bottom LASERS blink. (An agency can configure the energy weapon so the bottom LASERS are solid.)

If the energy weapon is not loaded, or if the energy weapon is loaded but both the cartridges are deployed, the bottom LASERS will turn off.

The bottom LASERS are set to intersect the bottom probe at a 15-foot (4.6 m) distance. One LASER will light when a Standoff (3.5-degree) cartridge is loaded; the other will light when a Close Quarter (12-degree) cartridge is loaded.

LED Flashlight

The TASER 7 energy weapon has a 210-lumen flashlight to aid the user in dark environments. The flashlight automatically adjusts to conserve battery power whenever the battery percentage drops below 20%.

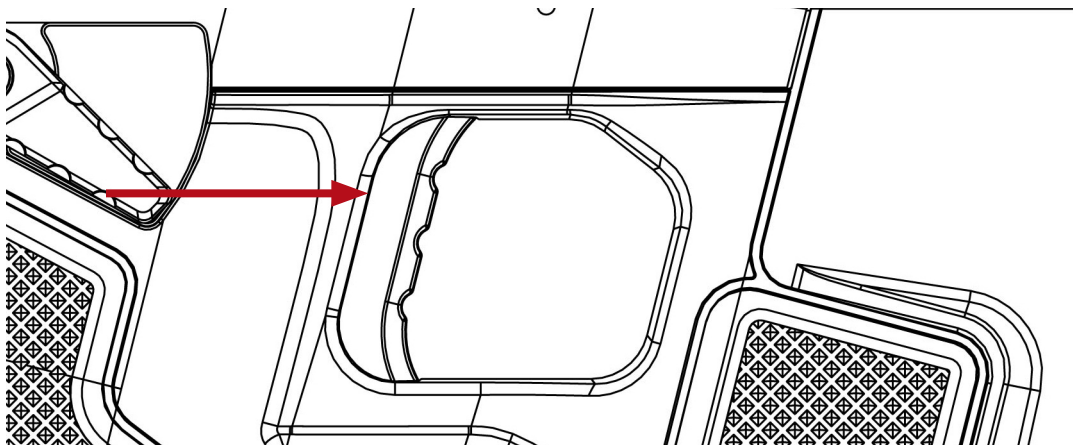


Trigger Switch

Unlike a firearm trigger, the TASER 7 trigger is a momentary electrical switch. The trigger is operational only when the safety is in the up (ARMED) position. Pulling and releasing the trigger will deploy the selected cartridge and result in an approximately 5-second discharge cycle unless the safety is shifted to the down (SAFE) position to discontinue the 5-second cycle. Pulling and holding the trigger for more than five seconds will result in a continuous discharge until the trigger is released, the safety is shifted downward, or the battery is depleted—whichever happens first. The first cartridge will always deploy from the left bay. The second deployed cartridge will be from the right bay.

A TASER 7 energy weapon with the automatic shutdown feature activated is limited to 5-second discharge and emits an audio alert two seconds before the end of the cycle.

In the event of an accidental discharge, immediately shift the safety switch to the down (SAFE) position to stop the discharge cycle.



Method of Operation

Each sequential trigger pull deploys a cartridge. At the beginning of the event, the leftmost

active cartridge is selected by default.

- 1 Pull the trigger to deploy the selected cartridge.

The TASER 7 energy weapon energizes the left cartridge. Releasing the trigger automatically selects the right cartridge while the left cartridge is deploying and discharging.

If you have engaged a target and contact is good, pressing the Arc switch will apply energy to all deployed cartridge bays, but will not deploy an un-deployed cartridge. This allows you to apply cycles to a continually resisting subject, if needed, without deploying the remaining cartridge. All Arc presses will result in 5-second discharge activations, unless the Arc switch is held, in which case the weapon will discharge until the battery is dead or the optional Automatic Shutdown Feature stops the discharge after 5 seconds.

- 2 Pull the trigger to deploy the second cartridge.

When both the left and right cartridges are energized each of the two firing bays will run for approximately five seconds. The firing of the right cartridge causes the Adaptive Cross Connect to be activated, and the weapon will discharge up to 44 pulses per second, between all positive and negative probe combinations: Left top probe to left bottom probe; left top probe to right bottom probe, right top probe to right bottom probe, and right top probe to left bottom probe. To re-energize both deployed cartridge bays for five seconds, press momentarily either the Arc switch or the trigger. If the Arc switch or trigger is held down after the 5-second cycle ends, both cartridge bays will continue to cycle until the battery is dead or the optional Automatic Shutdown Feature stops the discharge after five seconds.

Note: Shifting the safety switch to the down (SAFE) position stops the cycle for all cartridge bays.

Near Field Communications (NFC) Tag

The NFC tag can be scanned by a smart device equipped with the Axon Device Manager application to register, assign, or reassign the energy weapon. For more information see *Axon Device Manager for Android Guide* or *Axon Device Manager for iOS Guide*, as appropriate.

Stealth Mode

You can set up your TASER 7 energy weapon to turn the flashlight and LASER sights off. When the lights are turned off, the energy weapon is said to be in Stealth mode.

To put the energy weapon in Stealth mode, press both Arc switches and hold them for three seconds. The CID will dim when Stealth mode has been activated. The energy weapon can remain in this mode for 20 minutes before it will timeout. When you shift the safety switch to the up (ARMED) position, the flashlights and LASERS will not illuminate. To take the energy weapon out of Stealth mode, shift the safety switch to the down (SAFE) position.

Function Test/Axon Signal Mute Mode

Placing your TASER 7 energy weapon into the Function Test mode will log everything that occurs as a test. This is ideal for performing function tests. When the energy weapon is in the Function Test mode, the Axon Signal capability is turned off (Axon Signal Mute mode), which is designed to NOT alert Axon cameras to record.

- 1 Press and release both Arc switches.

- 2 Shift the safety switch to the up (ARMED) position.

The display is inverted. Everything that was black is yellow, and everything that was yellow is black.



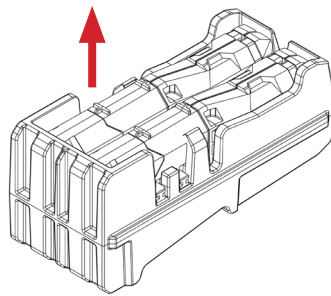
- 3 Perform the test. See *Function Test* (Chapter 6) for more information.
- 4 Shift the safety switch to the down (SAFE) position.

If you press the trigger in Function Test mode, the energy weapon will return to weapons mode and a cartridge will deploy.

Chapter 4: Cartridges and Energy Weapon Operation

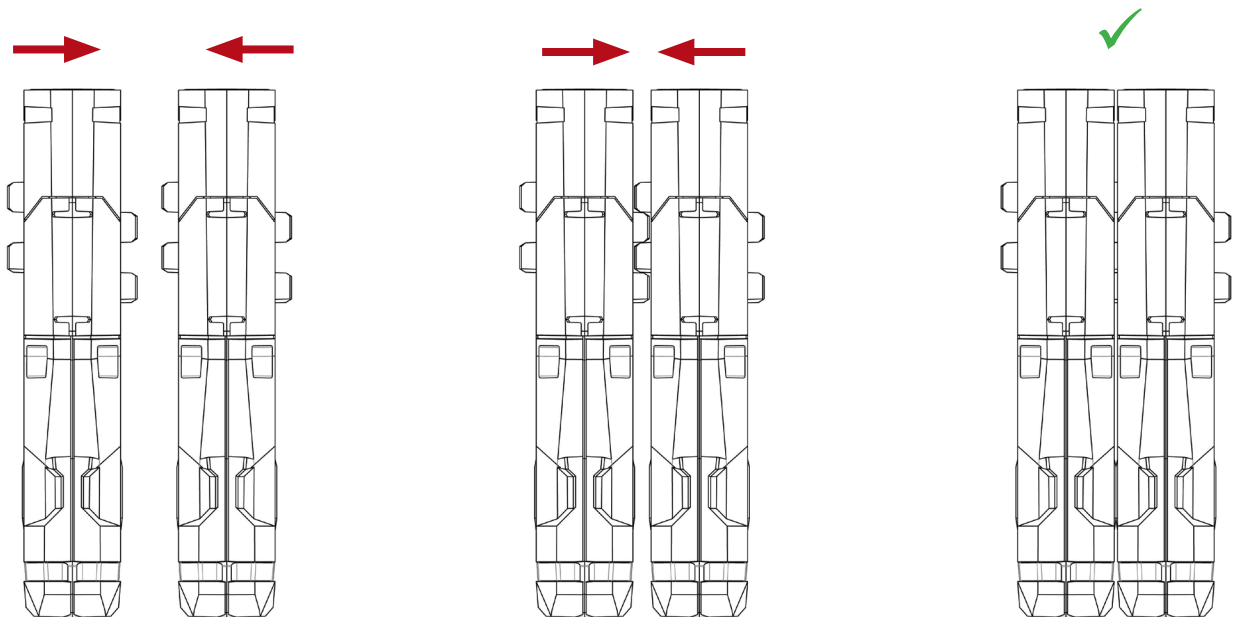
Remove the Cartridges from the Safety Clip

TASER 7 Cartridges (sold separately) are shipped with a safety clip in place. Carefully remove the cartridges from the safety clip before attempting to load a cartridge into a TASER 7 energy weapon.

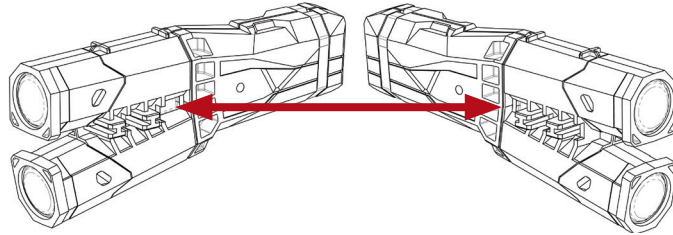


Cartridge Pair Assembly

TASER 7 Cartridges are shipped in pairs. The two cartridges are pressed together to each other via plastic attachment tabs. They can be pulled apart and put back together. This feature is useful for reloading the energy weapon when only one cartridge has been deployed.



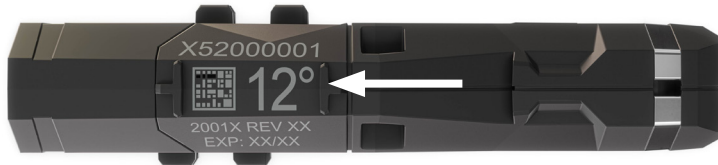
The cartridges may be easier to peel apart if they are pulled away at the front or back end.



TASER 7 Cartridge Characteristics

The TASER 7 energy weapon is designed to work with TASER 7 Cartridges manufactured by Axon Enterprise, Inc. Do not use cartridges made by other companies with a TASER 7 energy weapon.

TASER 7 Cartridges are distinguished by purpose and cartridge angle. Cartridge angle is the angle of separation between the top and bottom probes when they are deployed. Cartridge angle is printed on the top of a cartridge.

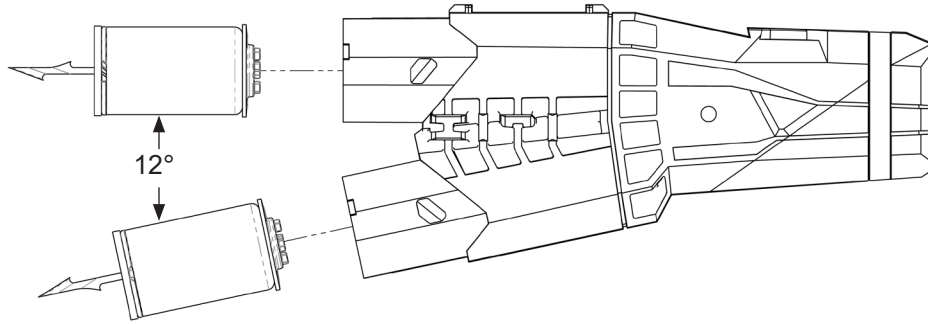


Close Quarter Cartridges (12-degree)

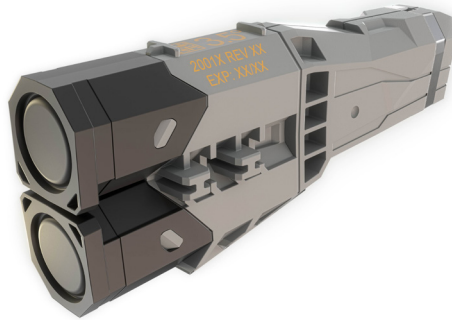
TASER 7 live cartridges are designed for duty use in accordance with your agency's use of force policy. Live cartridges are identifiable by their black blast doors.



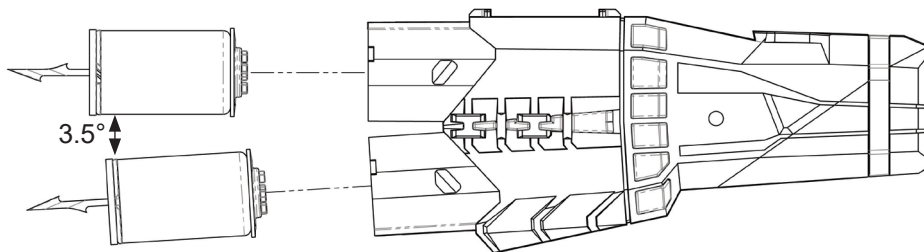
All TASER 7 Cartridges have a wire length of 25 feet (7.6 m). Twelve-degree cartridges can be effective in engagement ranges as close as four feet (1.22 meters). Twelve-degree cartridges have a black cartridge body.



Standoff Cartridges (3.5-degree)



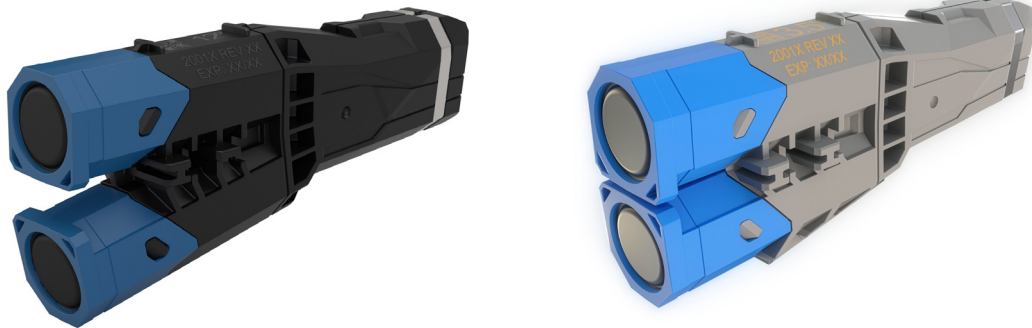
TASER 7 Cartridges intended for longer range deployments have a 3.5-degree angle and can be effective at 11.5 feet (3.5 meters) or longer engagement ranges. The 3.5-degree cartridges have a gray cartridge body.



TASER 7 Hook-and-Loop Training (HALT) Cartridges (12- and 3.5-degree)

TASER 7 Training Cartridges are designed for use with the HALT Suit. Instead of having darts on the ends of their probes, training cartridges are tipped with hook fasteners that enable them to stick to the loop fasteners on the training suit. The training cartridges contain non-conductive line and will not transmit electrical pulses to the probes. TASER 7 HALT Cartridges have blue blast doors. HALT cartridges are available with a 12-degree cartridge angle to approximate the downrange characteristics of 12-degree live cartridges. HALT cartridges also are available with a 3.5-degree angle for training at longer distances. The 12-degree cartridges have a black body; the 3.5-degree cartridges have a gray body.

HALT cartridges will not work with previous generations of TASER simulation suits. Only HALT cartridges should be used with the new HALT Suit. Do not use simulation cartridges designed for other energy weapons with the HALT Suit.



TASER 7 Inert Resettable Training Cartridge (12- and 3.5-degree)

TASER 7 Inert Resettable Training Cartridges, identifiable by their red blast doors, do not have probes or wires. When loaded into an energy weapon they simulate the appearance of a loaded cartridge on the central information display (CID) after the safety is shifted to the up (ARMED) position. They are available in different designs to represent 12- and 3.5-degree cartridges. The 12-degree cartridges have a black body; the 3.5-degree cartridges have a gray body.



Digital Anti-Felon Identification (AFID)

When a TASER 7 Cartridge is deployed, the cartridge serial number, date of manufacture, energy weapon serial number, and deployment date and time are recorded in the cartridge. That information transfers to the energy weapon and the battery pack, and then to Axon Evidence (Evidence.com) services after the battery pack is inserted into a TASER 7 Dock. A deployed TASER 7 Cartridge can be loaded into any TASER 7 energy weapon to retrieve the data from the cartridge.

TASER 7 Cartridges General Instructions

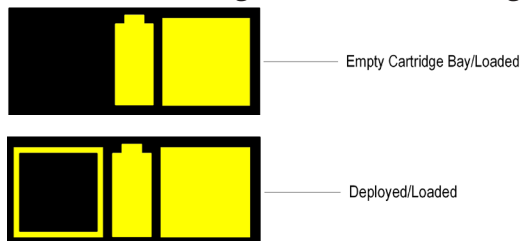
Never place your hands, fingers or other body part in front of the cartridge. This is especially important when loading and unloading the cartridge. Serious injury could result. When loading

and unloading always hold the cartridge on the sides.

Remove the TASER 7 Cartridge from the TASER 7 energy weapon before inspection.

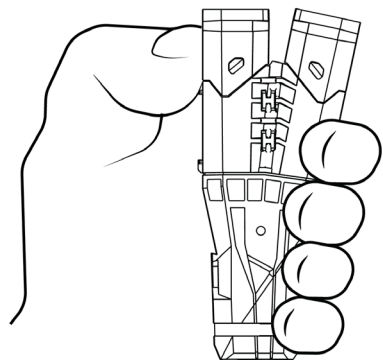
Before installing and using a TASER 7 Cartridge, inspect the blast doors for cracks. The inspection should include the break seams around the blast doors. If the blast doors or seams are cracked, remove the TASER 7 Cartridge from service.

The energy weapon can determine whether the TASER 7 Cartridges loaded in the cartridge bays have been deployed or not. The energy weapon also can determine whether all the cartridge bays are loaded or not. This means the energy weapon will not select an empty bay or a deployed cartridge when a live cartridge is available. Cartridge status is displayed on the CID.



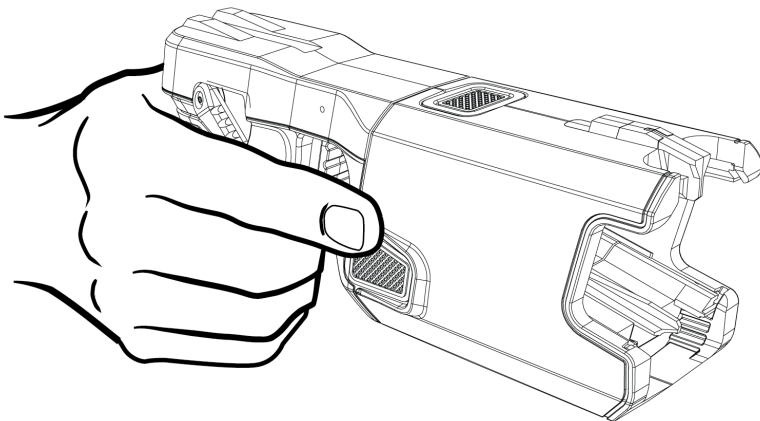
Loading the TASER 7 Cartridges

TASER 7 Cartridges are shipped with a safety clip in place. Remove these covers before attempting to load a cartridge into a TASER 7 energy weapon. See *Remove the Cartridges from the Safety Clip* for more information.

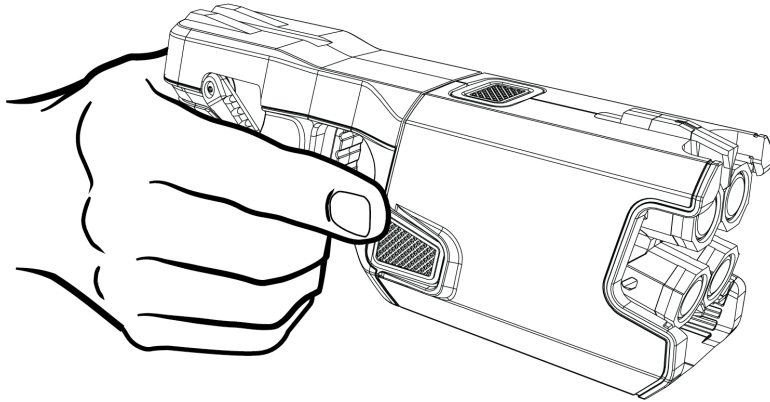


Always treat your TASER 7 energy weapon as if it were loaded.

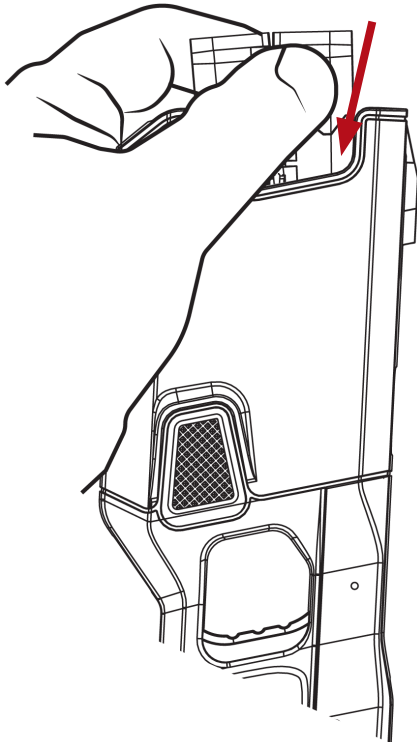
Unloaded TASER 7 energy weapon viewed at an angle:



Loaded TASER 7 energy weapon viewed at an angle:



- 1 Point the energy weapon in a safe direction.
- 2 Ensure the safety switch is in the down (SAFE) position and your finger is not on the trigger or Arc switch.
- 3 Ensure the protective safety clip is removed from the TASER 7 Cartridge.
- 4 Keeping your hand away from the blast doors, gently push the TASER 7 Cartridge into the cartridge bay until an audible click is heard.



Note the orientation of the cartridge; the portion of the cartridge that has writing on it is the top of the cartridge. The top of the cartridge must face the upper part of the cartridge bay. (This is a top view of the cartridge.)

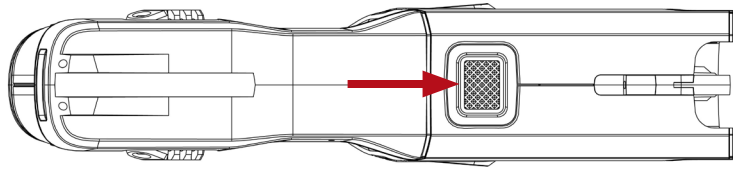


- 5 Verify that the cartridge is secure by pulling on the sides of the cartridge.

Cartridge Release Button

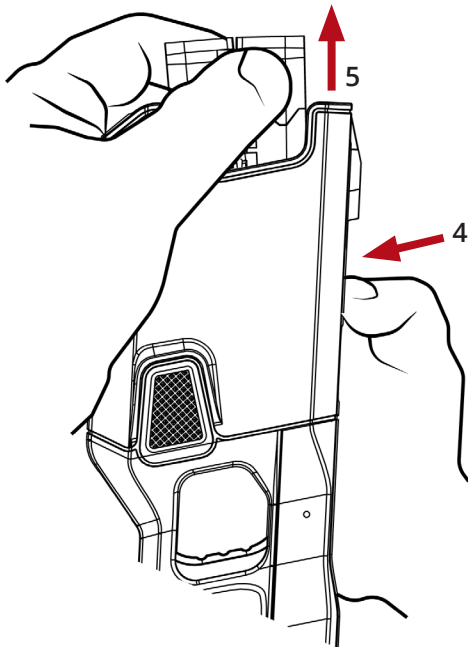
TASER 7 Cartridges are held in the TASER 7 energy weapon after they are loaded. Press the cartridge release button to release the cartridges before attempting to remove them from the energy weapon.

For further instructions, see *Unloading*.



Unloading

- 1 Point the energy weapon in a safe direction.
- 2 Ensure the safety switch is in the down (SAFE) position.
- 3 Keep your hands away from the front of the cartridges.
- 4 With your thumb, press the release button.
- 5 Firmly pull the cartridges out of the bay by pulling on the sides of the cartridges.



Aiming and Probe Placement



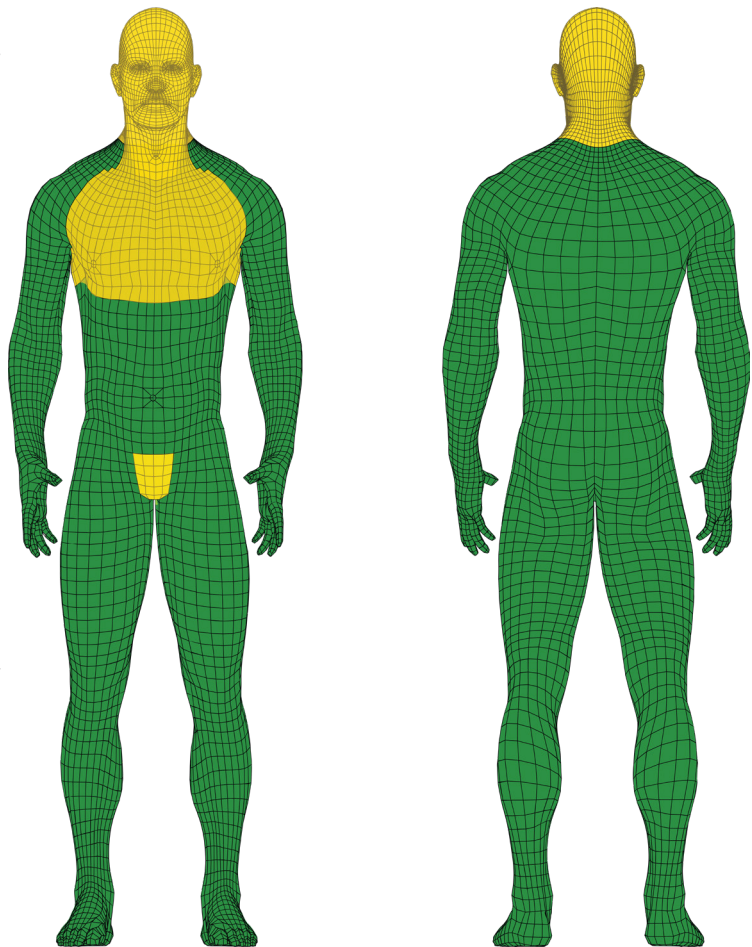
For most deployments, hold the energy weapon level. Tilt the energy weapon when necessary to align the energy weapon probes with the target.

All TASER energy weapon deployments should be in accordance with current TASER training and warnings, and department training, policies and procedures.

When possible, aim the LASERs at the preferred target areas of the body, which are the lower torso and legs when the subject is facing you, or the subject's back if the subject is turned away from you.

When possible, avoid intentionally targeting the energy weapon on sensitive areas of the body such as the head, eyes, throat, chest/breast, groin, or known pre-existing injury areas without legal justification.

The top probe is designed to impact the target near the top LASER beam but exact placement can vary depending on numerous factors, including but not limited to, the distance, type of cartridge and environmental factors. If both the upper and lower LASERs are active, you



should be able to estimate where each probe will hit.

If a single cartridge is deployed and an electrical circuit is completed and maintained, the energy weapon will be relatively quiet. Multiple cartridge deployments and Warning Arc displays are likely to make more noise.

Potential Causes of Reduced or No Effectiveness

- **Loose or Thick Clothing.** If the probes lodge in clothing and are too far away from the subject, energy weapon effectiveness may be reduced.
- **Miss or Single Probe Hit.** The electrical current must pass between a positive probe and a negative one (top and bottom probe). If one probe misses, the energy weapon will not be effective.
- **Low Nerve or Muscle Mass.** If the probes impact in an area where there is very little muscle mass (e.g., the side of the rib cage), the effectiveness may be reduced.
- **Limited Probe Spread.** Probe spreads of less than 12 inches (30 cm) may result in reduced energy weapon effectiveness.
- **Wires Break.** If a wire breaks (e.g., during a struggle), the current will not flow to the probes and the energy weapon will not be effective.

In any of the above scenarios, a second cartridge may be deployed or a drive-stun follow up may be used if practical, justified, and within your agency's policy.

Do not become over-dependent on the TASER energy weapon. No force option, including energy weapons, is 100% effective in every situation. Do not deploy the energy weapon without following your department policies and procedures.

Warning Arc Display

With the safety in the up (ARMED) position, pressing and holding the Arc switch displays a Warning Arc discharge across the front of the TASER 7 energy weapon.

With a Warning Arc display, the user may deter a subject without having to deploy a cartridge. A Warning Arc can be accomplished with the TASER 7 without removing the live cartridges. Pressing the Arc switch does not deploy the TASER 7 Cartridges even if the TASER 7 energy weapon is loaded.

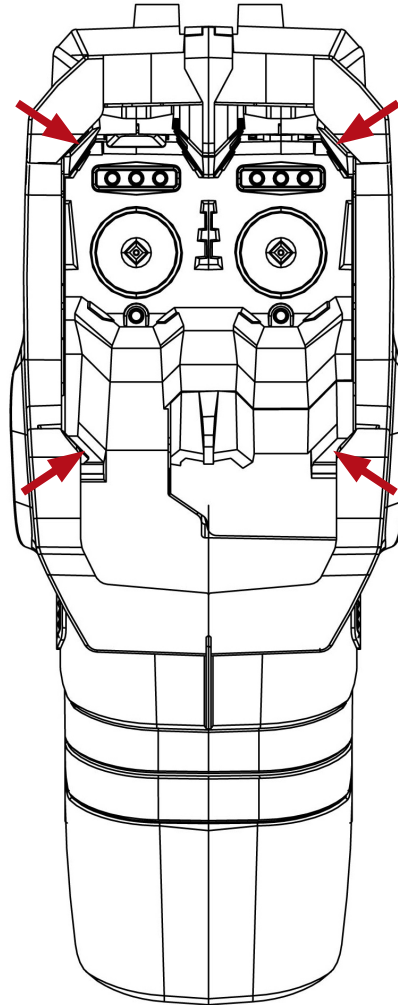
If no cartridges have been deployed, the Warning Arc does not run for a predetermined time. When you release the Arc switch, the Warning Arc discharge stops. However, if you deploy a cartridge and later press the Arc switch, the discharge will run for five seconds, even if you release the Arc switch right away.



Use the Arc switch, not the trigger, to employ the Warning Arc display. Pulling the trigger will deploy a loaded cartridge.

Electrodes

The front of the TASER 7 energy weapon has four metal electrodes. The electrodes provide the ability to use the TASER 7 energy weapon in “drive-stun” mode as a traditional stun gun-type energy weapon.



Drive-Stun Backup

Drive-stun capability is available with the TASER 7 energy weapon. To apply a drive-stun, place the safety in the up (ARMED) position and press the Arc switch, just as you would to employ a Warning Arc display. When you use the Arc switch, energy will spark across all the electrodes without deploying the cartridges.

When using the drive-stun, push (drive) the front of the energy weapon firmly against the body of the subject. Simply “touching” the energy weapon against the subject is not sufficient. The subject is likely to recoil and try to get away from the energy weapon. It is necessary to aggressively drive the front of the energy weapon into the subject for maximum effect.

Drive-stun mode is not designed to cause incapacitation and primarily becomes a pain compliance

option. Drive-stun is only effective while the energy weapon's electrodes are in direct contact with the subject or when pushed against the subject's clothing. As soon as the energy weapon is moved away, the energy being delivered to the subject stops.

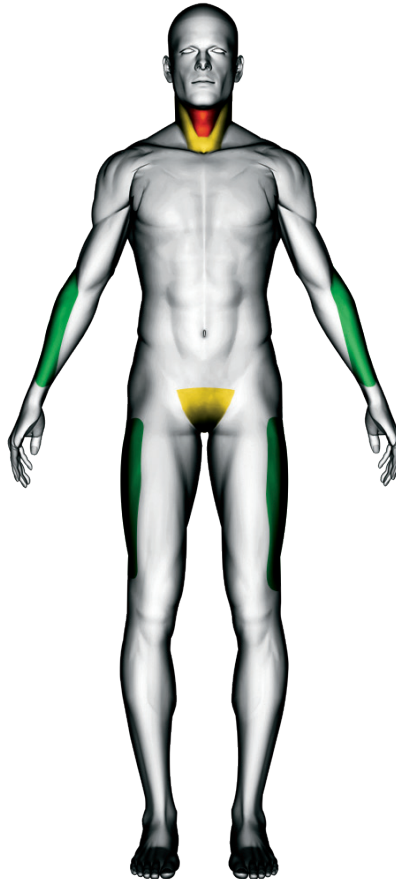
If the probes are deployed, even at very close range, the user may drive-stun to another portion of the body that is further away from the probes, thereby increasing the possibility of inducing incapacitation.

Recommended Drive-Stun Areas for Maximum Effect

Use the energy weapon pursuant to your agency's policies and procedures. For maximum effectiveness, drive the energy weapon into the highlighted green areas as outlined below:

Suggested pressure points are highlighted in the green areas. Use care when applying the drive-stun to the neck or groin (yellow areas—users should only target these areas when they are defending themselves against a violent attacker). Stay away from the trachea and back of the neck. The trachea is soft tissue and could easily be crushed. The cervical portion of the spine is very sensitive to pressure. Also, care should be taken when applying a drive stun to the pelvic triangle to avoid the possibility of crushing the testicles.

Refer and adhere to your department's policy and training regarding drive-stuns in these and other sensitive areas.



Tilt Select

If configured to do so, the TASER 7 will change its cartridge selection if you quickly flick your wrist to the side 90 degrees while holding the energy weapon. This is useful when the energy weapon is

loaded with both Close Quarter and Standoff cartridges, and you want to select the cartridge for the target at the appropriate range. The LASER sights will adjust automatically for the cartridge that is in the active bay.

Tilt Select is not available with the TASER 7 CQ energy weapon.

An agency has three options for configuring the Tilt Select feature:

- Enabled – All Cartridge Types
- Enabled – Training Only
- Disabled

When Training Only option is selected, the Tilt Select feature will only work with inert or HALT cartridges.

By default, the leftmost cartridge (Bay 1) is selected. When this feature is active, a bar will display underneath in the active bay on the CID.

Note: The cartridge selection bar displays only if the energy weapon has been configured with the Tilt Select feature.



To select the right cartridge (Bay 2), flick your wrist in either direction so the energy weapon is tilted 90 degrees and return the energy weapon to the upright position in less than one second. Once the energy weapon is returned to the upright position, the CID should show that the active bay has changed.



If it becomes necessary to reselect the left cartridge (Bay 1), flick your wrist to either direction 90 degrees.

If the safety is shifted to the down (SAFE) position, the next time the energy weapon is armed the left cartridge will be selected. This will be true even if the right cartridge was selected before the safety was shifted to the down (SAFE) position.

If a cartridge is deployed, the next cartridge is selected automatically. The energy weapon will not select a deployed cartridge.



Chapter 5: TASER 7 Dock Operation (AX1011, AX1013, AX1030)

Introduction

TASER 7 docking systems are used with the battery packs to:

- Upload logs to Axon Evidence (Evidence.com)
- Update firmware
- Update energy weapon settings
- Update the real time clock (RTC) time on batteries.

It is recommended that the battery pack be docked every 30 days to ensure good functionality of the energy weapon. There are two docking systems for use with TASER 7 battery packs, the multi-bay and single-bay.

Multi-Bay

The multi-bay module is designed to work with the Axon Dock core module. The multi-bay, combined with the core module, performs the functions above while also recharging rechargeable battery packs. Non-rechargeable battery packs will work with the dock for information transfer, but they will not be recharged. See the *TASER 7 Dock Quick Start Guide* for more information.



Single-Bay

The single-bay module can be used in two ways:

1. Combined with an Axon Dock core module.
2. Without a core module, and connected to an Evidence Sync software-equipped computer's USB port.

When combined with an Axon Dock core module, the single-bay module functions the same as described in the *Multi-Bay* section.

When the core module is not used, the single-bay is known as a dataport. The dataport works with Evidence Sync software to transfer information. The dataport will not recharge a battery pack, even if the battery pack used is rechargeable. See the *TASER 7 Single-Bay Dataport Quick Start Guide* and *Evidence Sync User Manual* for more information.

Chapter 6: Maintenance/Troubleshooting

Function Test

Axon Enterprise, Inc. recommends conducting a function test prior to the start of your shift. The function test is done to verify the energy weapon's core electronics are working properly.

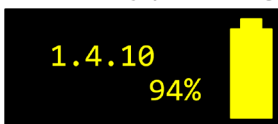
A TASER 7 energy weapon can be function tested with the cartridges loaded. In fact, it is recommended you perform the test with cartridges installed to reduce stress on the energy weapon's components.

To perform a function test:

- 1 Point the energy weapon in a safe direction.
- 2 With the safety in the down (SAFE) position, press and release both Arc switches simultaneously.

Keep your fingers away from the front of the energy weapon.

The energy weapon is now in Function Test mode. The CID will display the firmware version and the battery percentage.



- 3 Shift the safety switch to the up (ARMED) position.

The colors on the CID will be reversed as shown below—the battery and loaded cartridge icons are black, and the background is yellow.



- 4 Press either Arc switch or both Arc switches. The energy weapon will arc for five seconds.
Use the Arc switch, not the trigger, to perform a spark test. Pulling the trigger will deploy a loaded cartridge.
- 5 After the 5-second cycle is over, look at the CID and verify:
 - there are no fault icons;
 - there are two cartridges present; and
 - there is adequate battery capacity.
- 6 View the arc from the top or side of the energy weapon.

Do not point the energy weapon at your face or have it near your face.

- Verify electricity is arcing across the electrodes on both sides of the firing bay.
- 7 Shift the safety switch to the down (SAFE) position.
- 8 If any of the above verifications fail, return the unit to your agency's energy weapon administrator for service.

What to Do Following Energy Weapon Use

Considerations for Handling Used Probes



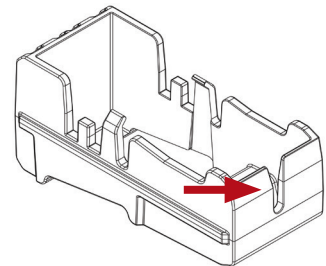
Biohazard

Each agency will establish its own procedure for probe removal, collection, biohazards, evidence collection and maintenance. Treat probes that have penetrated the body as contaminated needles (biohazard). Remember, however, that the probes may also be valuable evidence.

If the probes must be removed from the subject, follow all department policies and procedures, including for handling biohazards.

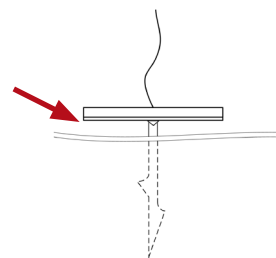
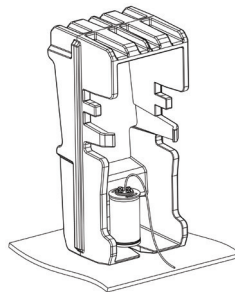
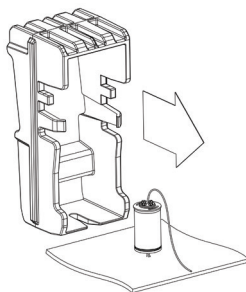
Below are suggested methods for probe removal.

The TASER 7 Cartridge safety clip can be used to remove probes from an individual. The safety clip has a notch built into the end.



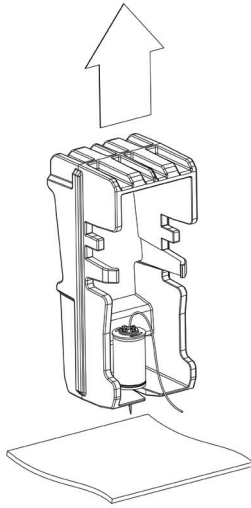
Once the subject is restrained, prior to removing the probes, evaluate the need for medical attention as you would with any other use-of-force incident.

- 1 Slide the safety clip between the probe and the subject, catching the probe between the dart body and the dart point.



If the probe bumper has broken free from the rest of the probe assembly, slide the safety clip in the same way and catch the probe between the probe bumper and the dart point.

- 2 Pull the safety clip (and the probe with it) straight out. You may want to place your thumb on top of the base of the probe to stabilize it. Do not twist the safety clip or probe as the barbed tip may cause additional injury.



- Take photos of any injuries, place the photos into evidence.*
- Collect the deployed cartridge and probes, and place them into evidence.*
- If the probes are not going to be collected and maintained for evidence, carefully place used probes sharp-tip first into a sharps container, secure in place, and place in a secure location where no one will accidentally touch the probes.

* As directed by department policy. The TASER training materials provide additional information on forensic evidence collection procedures. The probes, wires, and cartridge can yield important forensic evidence if properly collected, maintained, and analyzed.

Effects on Animals

TASER energy weapons have been an effective option for dealing with aggressive animals and have generally been successful in most deployments. The TASER 7 energy weapon uses similar technology, but does not yet have the same service record as the prior models.

Note: If a probe deployment completed circuit is initiated and maintained, the aggressive animals are usually incapacitated/stunned momentarily in previous-generation energy weapon deployments, but recover quickly. Typically, the animals left the scene and broke the wires.

If deployed on a domestic animal, consider having animal control available to restrain the animal.

Police/Military K-9 Caution

Energy weapon operators and K-9 officers must work closely together to develop policies and procedures for deploying the energy weapon when a K-9 is present. If a K-9 bites a probe or the wires or bites the suspect between the probes, or touches the cartridge wires, the K-9 could receive a shock. This could have a significant negative impact on the future duty use of the K-9.

Downloading Firmware Revisions

The TASER 7 energy weapon internal firmware provides functionality for all aspects of the energy weapon. The firmware can be upgraded by inserting an up-to-date battery pack into the energy

weapon.

Device Logs

The TASER 7 energy weapon captures various pieces of information about the device. This is referred to as the device logs.

The data from the logs are uploaded securely to Axon Evidence (Evidence.com) services, where the information is encrypted, stored securely and organized into dashboards that allow your agency to easily monitor the usage and system status of your entire arsenal of TASER 7 energy weapons.

The logs provide agencies with a powerful management tool to track usage patterns and help prevent misuse. Activities are grouped by sessions. Each session has a Session Start and a Session End that summarizes the weapon state when it was ARMED and after it was disarmed, and will also include the date and time for each energy weapon deployment. Each entry has a timestamp in Coordinated Universal Time (UTC), which Axon Evidence will convert to your local time.

The logs are named Armed Event Log and Maintenance Log.

Armed Event Log

The Armed Event log records when:

- The safety was shifted to the up (ARMED) position.
- The safety was shifted to the down (SAFE) position.
- A cartridge was loaded into the energy weapon.
- The trigger was pulled.
- The Arc switch was pressed.
- The weapon started a discharge.
- A cartridge was deployed.
- The version of the firmware in use.
- The weapon was placed in functional test mode.
- The weapon went into power saving mode.
- The weapon timed out and turned off.

The Armed Event log also records the firmware version installed.

Maintenance Log

The Maintenance Log includes the information for when:

- A new battery pack is inserted into the energy weapon.
- Agency settings changed.
- A functional test is performed.

TASER 7 Energy Weapon Maintenance and Care

Each agency should establish a maintenance and handling program.

The TASER 7 energy weapon product is a sensitive piece of electronic equipment and should be handled with care. Avoid dropping a TASER 7 energy weapon. Do not use a TASER 7 energy

weapon that has a cracked handle.

- Check the battery pack regularly. If you are using a rechargeable battery (TS1005 or TS1013), recharge it when the battery percentage drops below 30%.
- If you are using a non-rechargeable battery pack (TS1006), replace it when the battery percentage drops below 20%.
- Occasionally wipe out the TASER 7 cartridge deployment bays with a dry cloth. Multiple cartridge firings create build-up (particularly after training courses or in humid environments) that should be removed.

Do not wipe out the bays immediately after the energy weapon has been fired as you might receive a latent short electrical shock. Wait at least five minutes after the last discharge of the energy weapon before wiping out the bays.

- Secure the TASER 7 energy weapon in a protective holster when the energy weapon is not in use.
- Function test the energy weapon regularly.
- Update the energy weapon's firmware when updated firmware is released.
- Upload your TASER 7 energy weapon data to Axon Evidence (Evidence.com) services at least once per quarter and always before sending the energy weapon to Axon Enterprise.
- Avoid immersing the TASER 7 energy weapon in water or exposing the TASER 7 energy weapon to excessive moisture or water.
- See the troubleshooting guide at www.axon.com for additional maintenance instructions.

Dropped or Wet TASER 7 Energy Weapon

Do not immerse the energy weapon in water. If your energy weapon has been submerged in water or exposed to a significant amount of water for an extended time, immediately remove the battery pack, remove the energy weapon from service, and contact Axon.

Follow these steps for a energy weapon exposed to some moisture but not submerged in water.

- 1 Point the energy weapon in a safe direction and away from your body.
- 2 Shift the safety switch to the down (SAFE) position.
- 3 Safely remove the battery pack.
- 4 Safely remove all cartridges.
- 5 Let the energy weapon dry out.

Let the TASER 7 energy weapon dry thoroughly (at least 24 hours). Do not use an external heat source to dry the TASER 7 energy weapon.

- 6 Point the energy weapon in a safe direction and away from your body and ensure that the safety switch is in the down (SAFE) position.
- 7 Safely reinstall the battery pack.
- 8 Wait one minute before proceeding to the next step. Confirm that the energy weapon or battery pack is not getting warm.
- 9 Shift the safety to the up (ARMED) position.
 - If the energy weapon discharges without the trigger being pressed, shift the safety switch to the down (SAFE) position immediately, remove the battery pack, and return the energy

weapon to Axon per the return policies if the energy weapon is still under warranty.

- If the energy weapon does not discharge, go to step 10.
- 10 Look at the CID to ensure the energy weapon is functioning properly and the CID is not showing any error icons.
- 11 Confirm that the LASER and flashlight are working properly.
- 12 Press the trigger to test the trigger function. Conduct three complete 5-second discharges to confirm the proper pulse rate and observe that the cycle stops at five seconds. See the instructions under *Function Test* for more information.
- 13 Press the Arc switch to test the functioning. See the instructions under *Function Test* for more information.
- 14 If the trigger or Arc switch does not work, or if the CID shows a critical error icon, shift the safety switch to the down (SAFE) position immediately, remove the battery pack, and return the energy weapon to Axon per the return policies if the energy weapon is still under warranty.
- 15 If the energy weapon does function normally, shift the safety switch to the down (SAFE) position.
- 16 Put the battery pack in a TASER 7 Dock and confirm the internal time is correct. See *Evidence.com User and Administrator Reference Guide* for more information.
- 17 Confirm that the three trigger discharges were recorded properly in the download records.
- 18 Return the energy weapon to service.

Online Troubleshooting Guide

A troubleshooting guide is available by visiting www.axon.com. If you need product support on accessories or have any other questions, please contact technical support at:

U.S.: 1-800-978-2737

Australia: 1800512069

Visit www.axon.com/support for other international telephone numbers.

Product Returns

To return a TASER product for service, first follow the procedures at www.axon.com.

Always perform a complete download from the energy weapon before returning it for RMA. Any data will be lost during servicing work performed by Axon.

If the TASER energy weapon has been exposed to bodily fluids or other biohazards, please follow your agency guidance and if appropriate contact Axon's Technical Support Department at: US: 1-800-978-2737, Australia: 1800512069, (other international numbers can be found at www.axon.com/support) for specific instructions BEFORE returning the energy weapon.

Chapter 7: Additional Items

Axon Academy

The Axon Academy provides training on the use and maintenance of all TASER-brand energy weapons, Body Worn cameras and Axon Evidence (Evidence.com) services. Training is geared toward the special needs of law enforcement officers, correctional officers, medical personnel, military, professional security and private citizens. Energy weapon functions, medical issues, device maintenance and personal safety are just a few of the topics covered in the offered courses.

Our cadre of instructors consists of active and former law enforcement officers and military trainers. Many are internationally recognized experts in use of force at all levels with extensive training backgrounds.

All of our instructors are committed to providing high-level training and to forming lasting relationships to support our students long after they leave the Axon Academy.

For more information visit our website www.axon.com or give us a call at +1.800.978.2737 option 7 or +1.480.905.2000.

Courses currently offered or in development:

- TASER Conducted Energy Weapon Basic Instructor Course
- TASER Conducted Energy Weapon Master Instructor Course
- Evidence Collection and Analysis Course
- Body Worn Camera Certification

Medical Research

TASER energy weapons are among the most extensively studied force options. Many energy weapon-related medical and field studies have been published. Medical studies have found that modern pacemakers and implanted cardiac defibrillators withstand automated external defibrillators (AEDs) that are stronger than the TASER energy weapon conducted energy pulses. For more information go to www.axon.com.

See the current product warnings, training materials, licensing agreements, and specification sheets for more information about your TASER product.

Radio Waves



The Axon Signal feature of the TASER 7 Battery Pack transmits in the frequency range of 2402 to 2480 MHz.

Changes or modifications to the equipment not expressly approved by the manufacturer could void the product warranty and the user's authority to operate the equipment.

Your wireless device is a radio transmitter and receiver. It is designed and manufactured not to exceed the emission limits for exposure to radio frequency (RF) energy set by the Federal Communications Commission (FCC) of the U.S. Government. These limits are part of comprehensive guidelines and establish permitted levels of RF energy for the general population. The guidelines are based on standards that were developed by independent scientific organizations through periodic and thorough evaluation of scientific studies. The standards include a substantial safety margin designed to assure the safety of all persons, regardless of age and health. Before a device model is available for sale to the public, it must be tested and certified to the FCC that it does not exceed the limit established by the government adopted requirement for safe exposure. This equipment has been tested and found to comply with the limits for a Class B digital device, pursuant to part 15 of the FCC Rules. These limits are designed to provide reasonable protection against harmful interference in a residential installation. This equipment generates, uses and can radiate radio frequency energy and, if not installed and used in accordance with the instructions, may cause harmful interference to radio communications. However, there is no guarantee that interference will not occur in a particular installation. If this equipment does cause harmful interference to radio or television reception, which can be determined by turning the equipment off and on, the user is encouraged to try to correct the interference by one or more of the following measures:

Reorient or relocate the receiving antenna.

Increase the separation between the equipment and receiver.

Connect the equipment into an outlet on a circuit different from that to which the receiver is connected.

Consult Axon Technical Support for help.

FCC/IC NOTICE: This device meets the body worn human exposure limits found in OET Bulletin 65, 2001, and ANSI/IEEE C95.1, 1992. Proper operation of this equipment according to the instructions found in this guide will result in exposure substantially below the FCC's recommended limits. To comply with the FCC and ANSI C95.1 RF exposure limits, this device has been tested for compliance with FCC RF Exposure limits in the typical configuration. The radiated output power of this wireless device is far below the FCC radio frequency exposure limits.

This device complies with part 15 of the FCC Rules. Operation is subject to the following two conditions: (1) This device may not cause harmful interference, and (2) this device must accept any interference received, including interference that may cause undesired operation.

Section 8.4 of RSS-GEN

This Device complies with Industry Canada License-exempt RSS standard(s). Operation is subject to the following two conditions: 1) this device may not cause interference, and 2) this device must accept any interference, including interference that may cause undesired operation of the device.

Cet appareil est conforme aux normes d'exemption de licence RSS d'Industrie Canada. Son utilisation est soumise aux conditions suivantes: 1) cet appareil ne doit pas causer de brouillage, et 2) doit

accepter tout brouillage, y compris le brouillage pouvant entraîner un fonctionnement indésirable.

Section 8.3 of RSS-GEN

Under Industry Canada regulations, this radio transmitter may only operate using an antenna of a type and maximum (or lesser) gain approved for the transmitter by Industry Canada. To reduce potential radio interference to other users, the antenna type and its gain should be so chosen that the equivalent isotropically radiated power (e.i.r.p.) is not more than that necessary for successful communication.

Conformément à la réglementation d'Industrie Canada, le présent émetteur radio ne peut fonctionner qu'au moyen d'une antenne d'un seul type et d'un gain maximal (ou inférieur) approuvé pour l'émetteur par Industrie Canada. Dans le but de réduire les risques de brouillage radioélectrique pour les autres utilisateurs, il faut choisir le type d'antenne et son gain de sorte que la puissance isotrope rayonnée équivalente (p.i.r.e.) ne dépasse pas celle requise pour établir une communication satisfaisante.

THIS MODEL DEVICE MEETS THE GOVERNMENT'S REQUIREMENTS FOR EXPOSURE TO RADIO WAVES.

CE Declaration of Conformity

Axon Enterprise, Inc. declares that this Axon system is in compliance with the requirements and other relevant provisions of the Radio Equipment Directive (RED) 2014/53/EU and the Directive 2014/30/EU regarding electromagnetic compatibility. A copy of the original Declaration of Conformity can be found at www.axon.com.

Compliance Marks

MSIP (South Korea) Compliance Information

Applicant Name: Axon Enterprise, Inc.

Manufacturer / Manufacturer Country: Axon Enterprise, Inc. / USA

Name of equipment / model name: Specific low power wireless device (wireless device for wireless data communication system) / TS1005, TS1013, TS1006

Certification Numbers: R-R-CEW-TS1005, R-R-CEW-TS1006

It contains: MSIP-CRM-Cyp-4110

Year of manufacture: separate marking

This equipment is intended for home use (Class B) for electromagnetic compatibility and is intended for home use and may be used in all areas.



Complies with
IMDA Standards
DA106455





This equipment contains specified radio equipment that has been certified to the Technical Regulation Conformity Certification under the Radio Law.



AGREE PART L'ANRT MAROC

Numéro d'agrément: MR 20247 ANRT 2019, MR 20249 ANRT 2019, MR 20250 ANRT 2019

Date d'agrément: 02 JUL 2019

TASER 7 CQ

The TASER 7 CQ is a TASER 7 variant. Designed for agencies most likely to use energy weapons at close range, the TASER 7 CQ energy weapon has a red top LASER and no bottom LASERS. The TASER 7 CQ is configured exclusively for use with the close quarter (12-degree) TASER 7 cartridges. It cannot use the standoff (3.5-degree) cartridges. The TASER 7 CQ does not include the black rubber grip of the TASER 7, but has a textured pattern etched into its TASER Yellow plastic.

All TASER 7 battery packs are compatible with the TASER 7 CQ. The Tilt Select feature is not available with the TASER 7 CQ.

The TASER 7 CQ has a single red LASER sight, intended to show the user the approximate end location of the top cartridge probe. Both Class 2 and Class 3R LASERs are available.

LASER Information

⚠ WARNING!



LASER

2



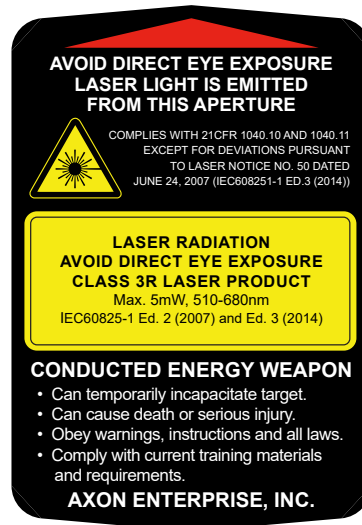
LASER RADIATION
DO NOT STARE INTO BEAM
CLASS 2 LASER PRODUCT



⚠ WARNING!

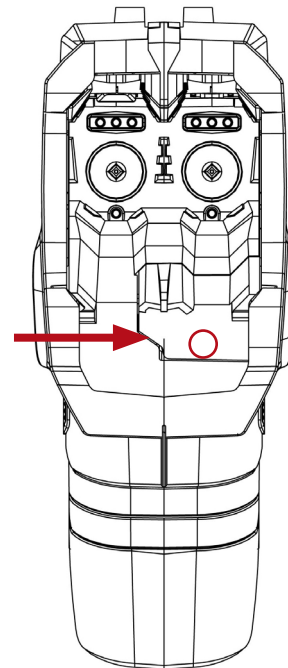


LASER RADIATION
DO NOT STARE INTO BEAM
CLASS 3R LASER PRODUCT



⚠ WARNING!

AVOID EXPOSURE – LASER RADIATION IS EMITTED FROM THIS APERTURE



Feature Availability

Feature	TASER 7	TASER 7 CQ
Automatic Shut-Down (AS) option	✓	✓
Axon Signal capability	✓	✓
Compatible with TASER 7 Dock multi-bay and single-bay	✓	✓
Adaptive cross connect	✓	✓
Two-shot capability	✓	✓
Flashlight	✓	✓
Close Quarter (12-degree) cartridges	✓	✓
Standoff (3.5-degree) cartridges	✓	✗
Green Top LASER sight	✓	✗
Range-adjusting LASER sights	✓	✗
Dual LASER sights	✓	✗
Compact battery pack	✓	✓
Disconnect battery pack	✓	✓
Tactical battery pack	✓	✓
Non-rechargeable battery pack	✓	✓
Tilt select	✓	✗
Black rubberized grip	✓	✗

TASER 7

Product functions and specifications may change without notice and the actual product may vary from the illustrations in this manual.

Android is a trademark of Google, Inc., iOS is a trademark of Cisco Systems, Inc., and Windows is a trademark of Microsoft Corporation.

▲, ▲ AXON, Axon, Evidence.com, Evidence Sync, TASER, TASER 7, TASER Yellow, X2, X26, and ⚡ are trademarks of Axon Enterprise, Inc., some of which are registered in the US and other countries. For more information, visit www.axon.com/legal. All rights reserved. © 2021 Axon Enterprise, Inc.

MMU0074 Rev: G

